

# AIRCLEAN

YOUR AIR FILTER MANUFACTURER

P.O. BOX 147,  
MAIDSTONE, ME14 2LA.

TEL:01622 832777  
FAX:01622 832507

sales@airclean.co.uk www.airclean.co.uk

## Filter Frames and Casings - Front Withdrawal

### Front Withdrawal frames

These are manufactured from galvanised sheet steel and are fitted with four retaining clips and a foam gasket onto which the filter will seal. The individual frames are supplied undrilled and can be bolted, pop-riveted or spot-welded together on site.

These frames are suitable for various types of panel filter, bag filter or a combination of both.

The frames have overall dimensions of 19mm (0.75") larger than the ACTUAL face dimensions of the filter or bag header they retain and are 75mm (3") in depth.

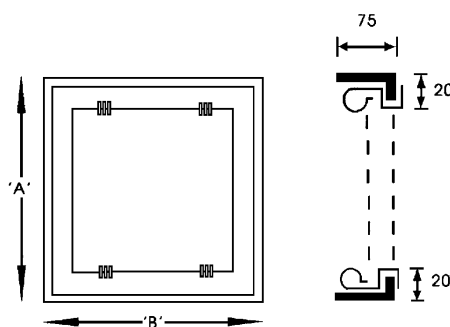
Filter retaining clips are available to accept 1", 2", 3" and 4" thick filters.



### Materials

Normally 0.9mm GSS. self-finished. Foam Filter Sealing Gasket. Frame fitted with Stainless Steel Filter Retaining Clips.

### Dimensions



A & B = Actual Filter size plus 19mm (0.75")

The Company reserves the right to change specifications without notice.  
E & OE